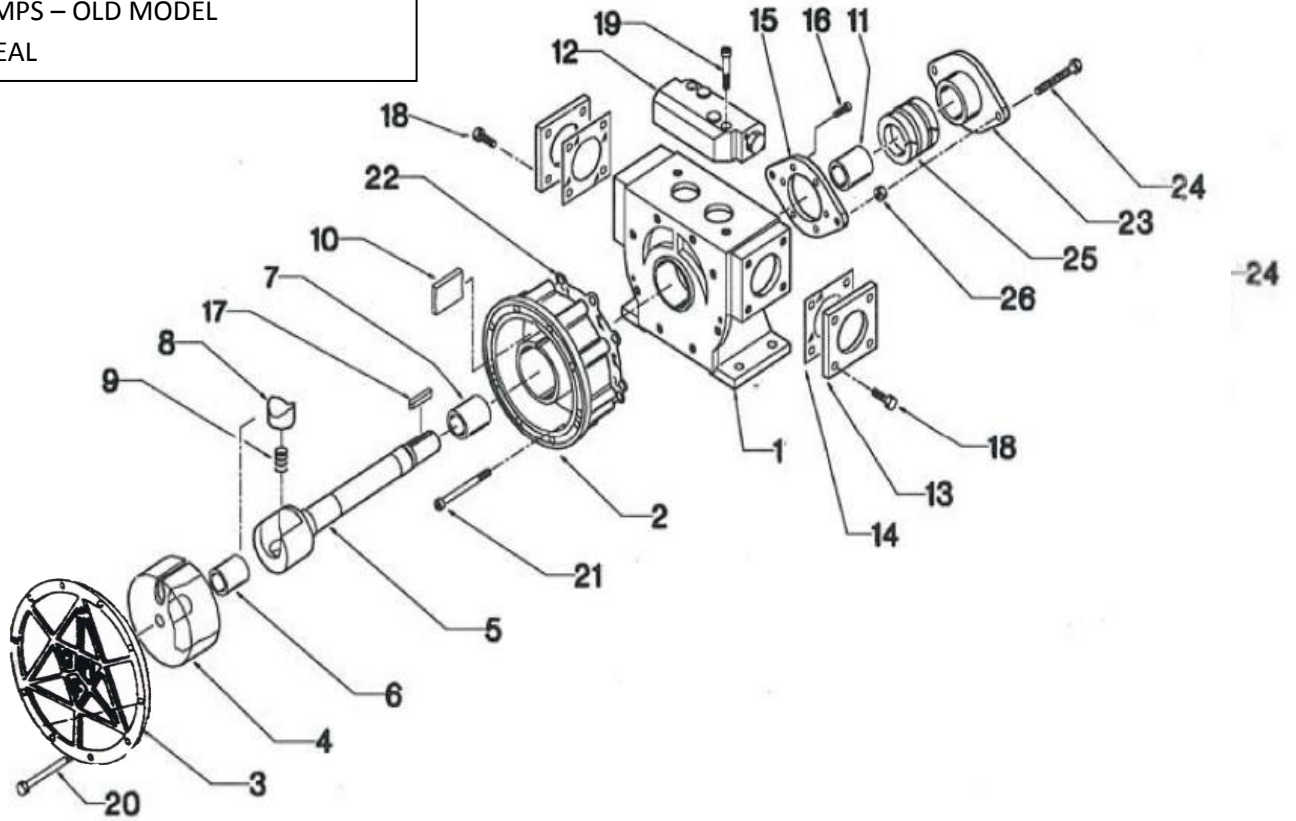
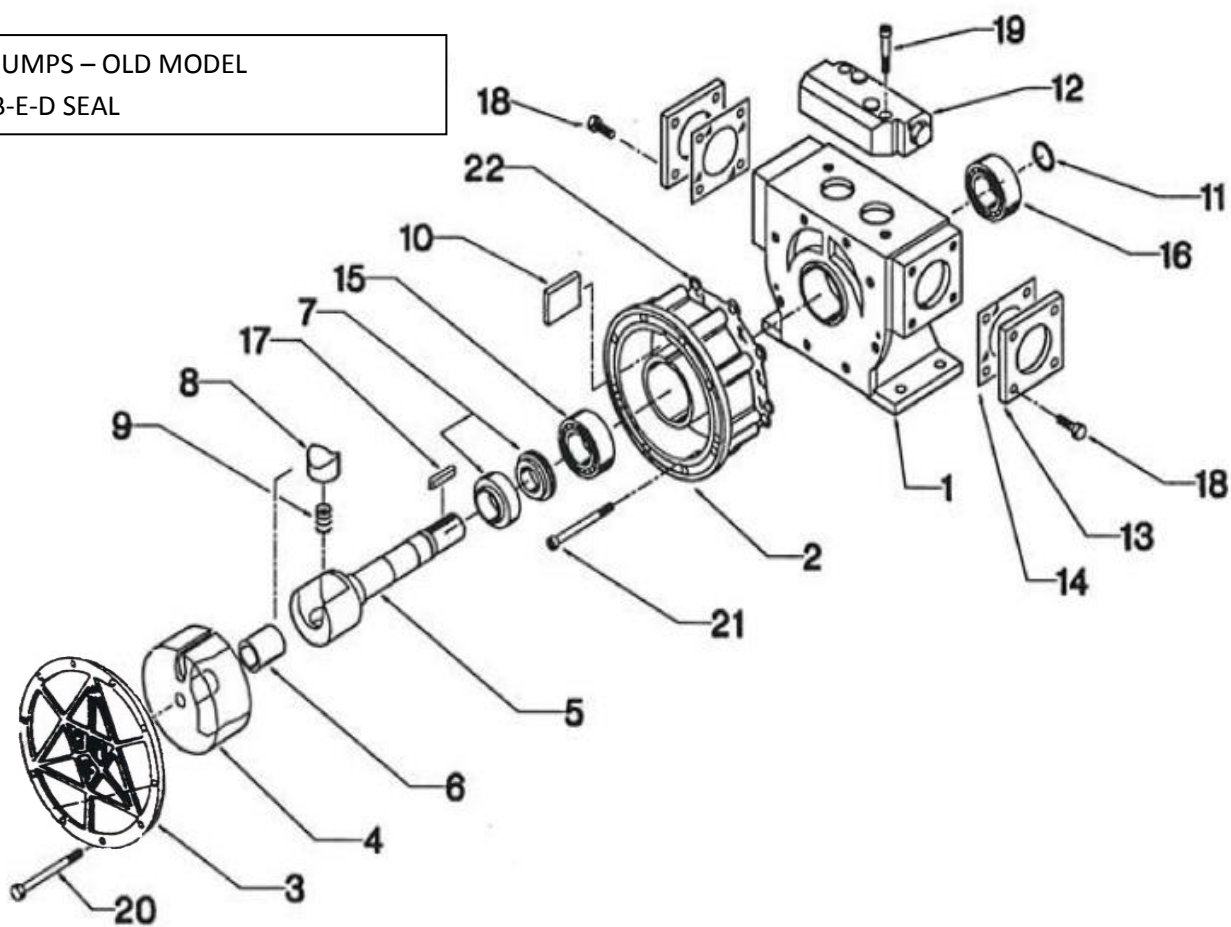


BMF PUMPS – OLD MODEL
TYPE F SEAL



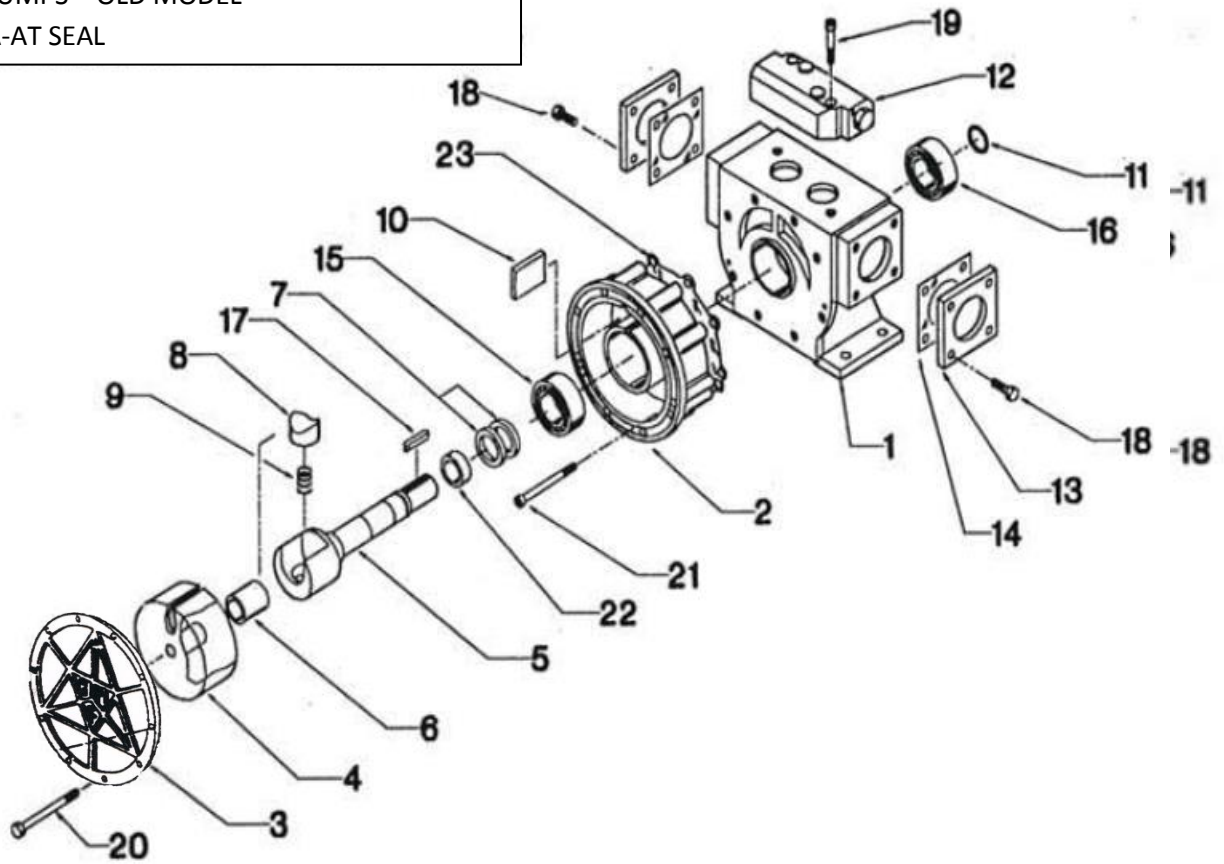
- 1 BASE
- 2 BODY
- 3 COVER
- 4 DISK
- 5 SHAFT
- 6 BUSHING
- 7 SHAFT BUSHING
- 8 CUP
- 9 SPRING
- 10 DIAPHRAGM
- 11 SHAFT BUSHING
- 12 BYPASS VALVE
- 13 FLANGE
- 14 FLANGE GASKET
- 15 PACKING FLANGE
- 16 FLANGE SCREW
- 17 KEY
- 18 FLANGE SCREW
- 19 BYPASS SCREW
- 20 COVER SCREW
- 21 BODY SCREW
- 22 BODY GASKET
- 23 PACKING GLAND
- 24 REGULATION SCREW
- 25 PACKING SEAL
- 26 FIXING NUT

BMF PUMPS – OLD MODEL
TYPE B-E-D SEAL



- 1 BASE
- 2 BODY
- 3 COVER
- 4 DISK
- 5 SHAFT
- 6 BUSHING
- 7 MECHANICAL SEAL
- 8 CUP
- 9 SPRING
- 10 DIAPHRAGM
- 11 CIRCLIP
- 12 BYPASS VALVE
- 13 FLANGE
- 14 FLANGE GASKET
- 15 FRONT BEARING
- 16 REAR BEARING
- 17 KEY
- 18 FLANGE SCREW
- 19 BYPASS SCREW
- 20 COVER SCREW
- 21 BODY SCREW
- 22 BODY GASKET

BMF PUMPS – OLD MODEL
TYPE A-AT SEAL



- 1 BASE
- 2 BODY
- 3 COVER
- 4 DISK
- 5 SHAFT
- 6 BUSHING
- 7 RING SEAL
- 8 CUP
- 9 SPRING
- 10 DIAPHRAGM
- 11 CIRCLIP
- 12 BYPASS VALVE
- 13 FLANGE
- 14 FLANGE GASKET
- 15 FRONT BEARING
- 16 REAR BEARING
- 17 KEY
- 18 FLANGE SCREW
- 19 BYPASS SCREW
- 20 COVER SCREW
- 21 BODY SCREW
- 22 WEAR RING
- 23 BODY GASKET